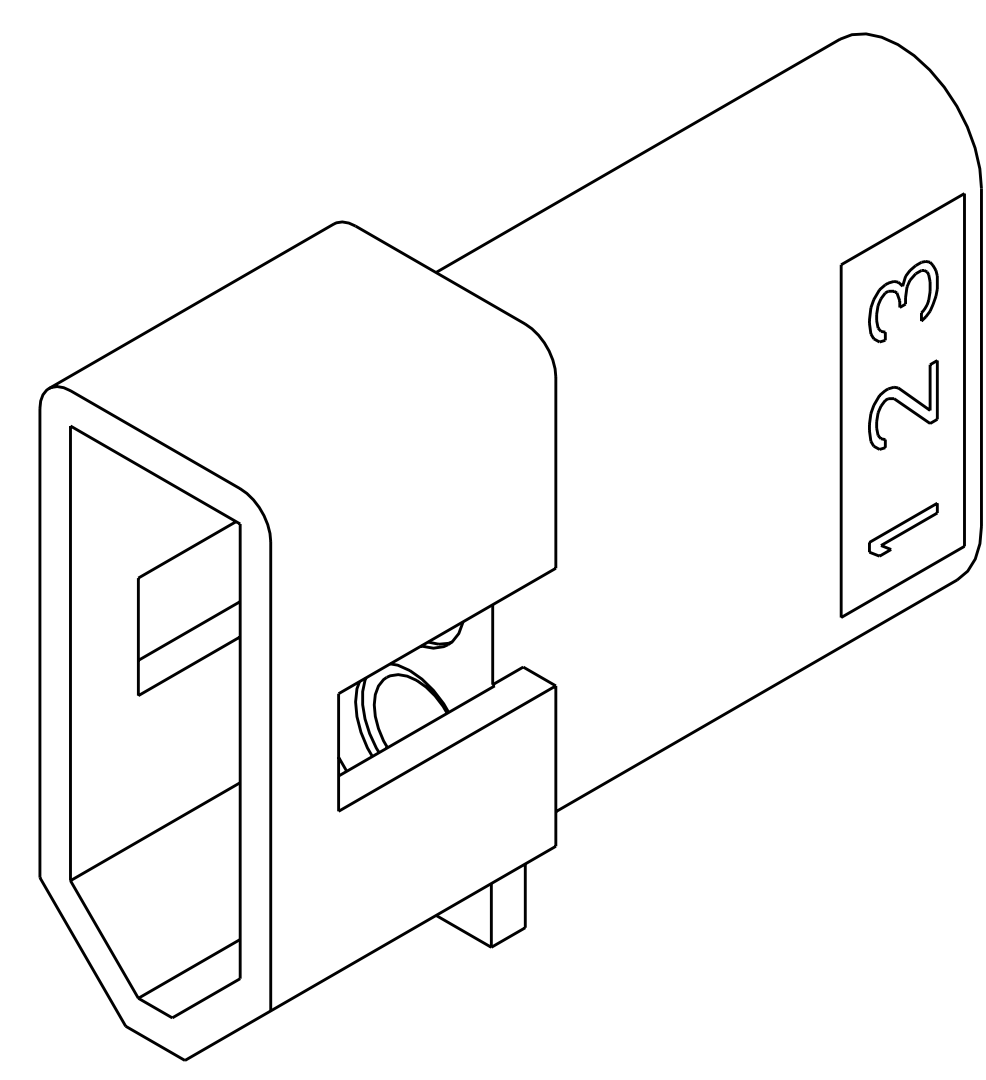
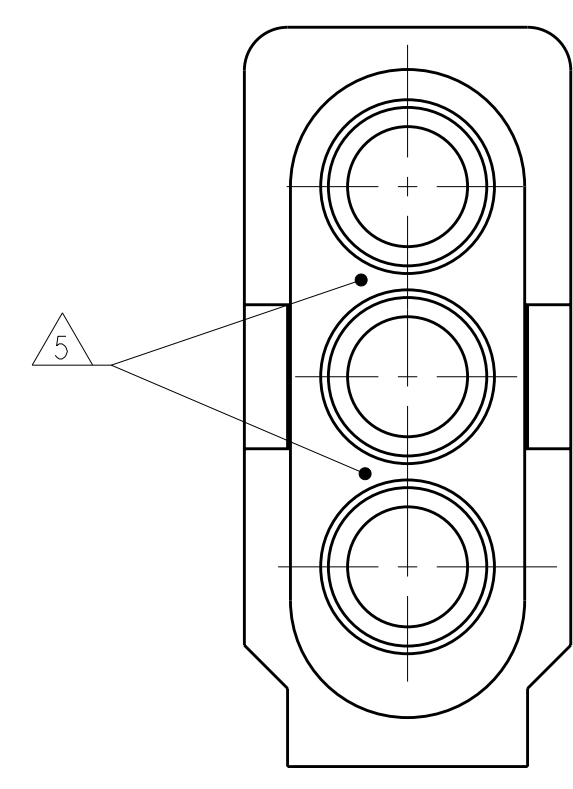
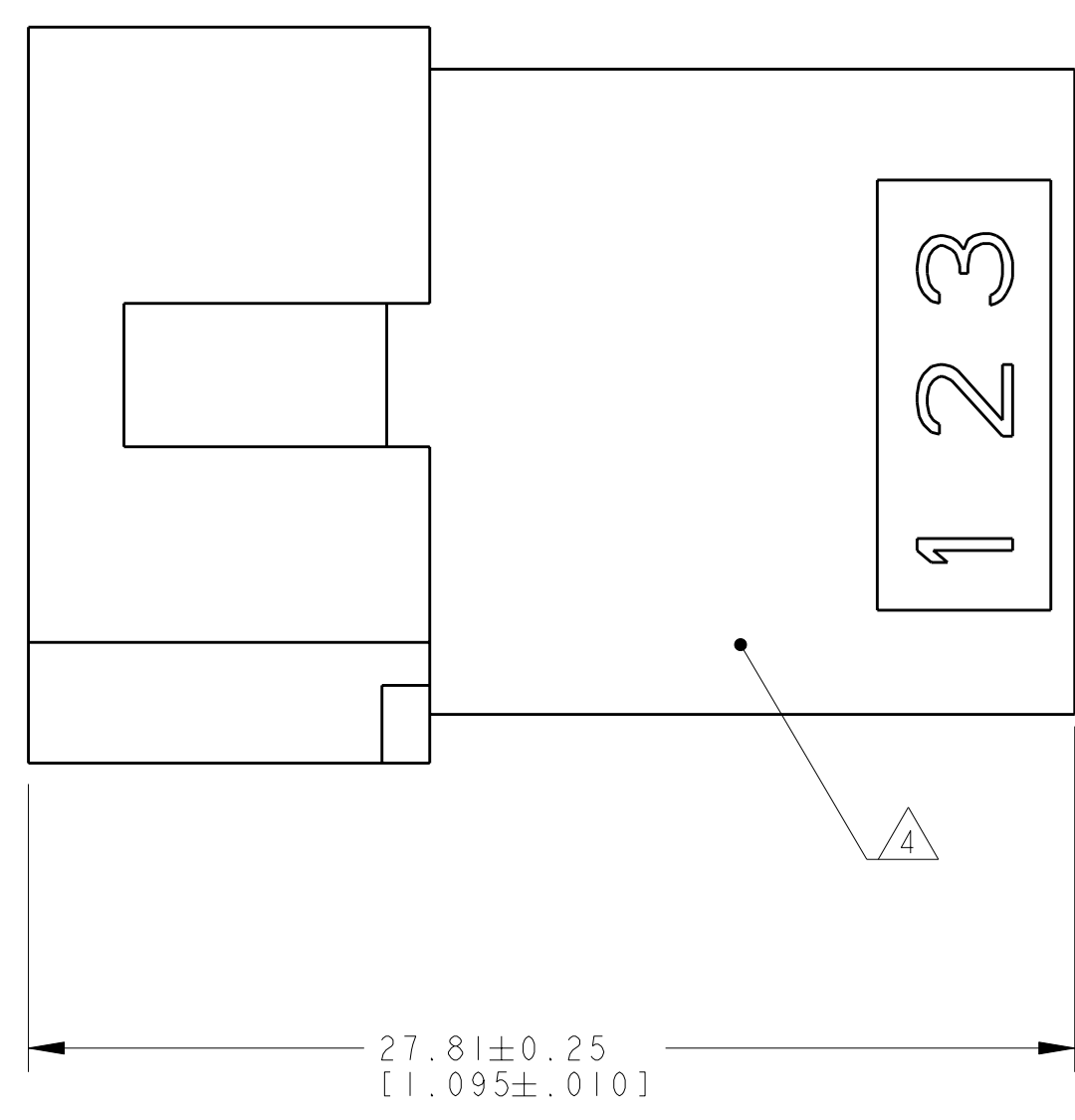
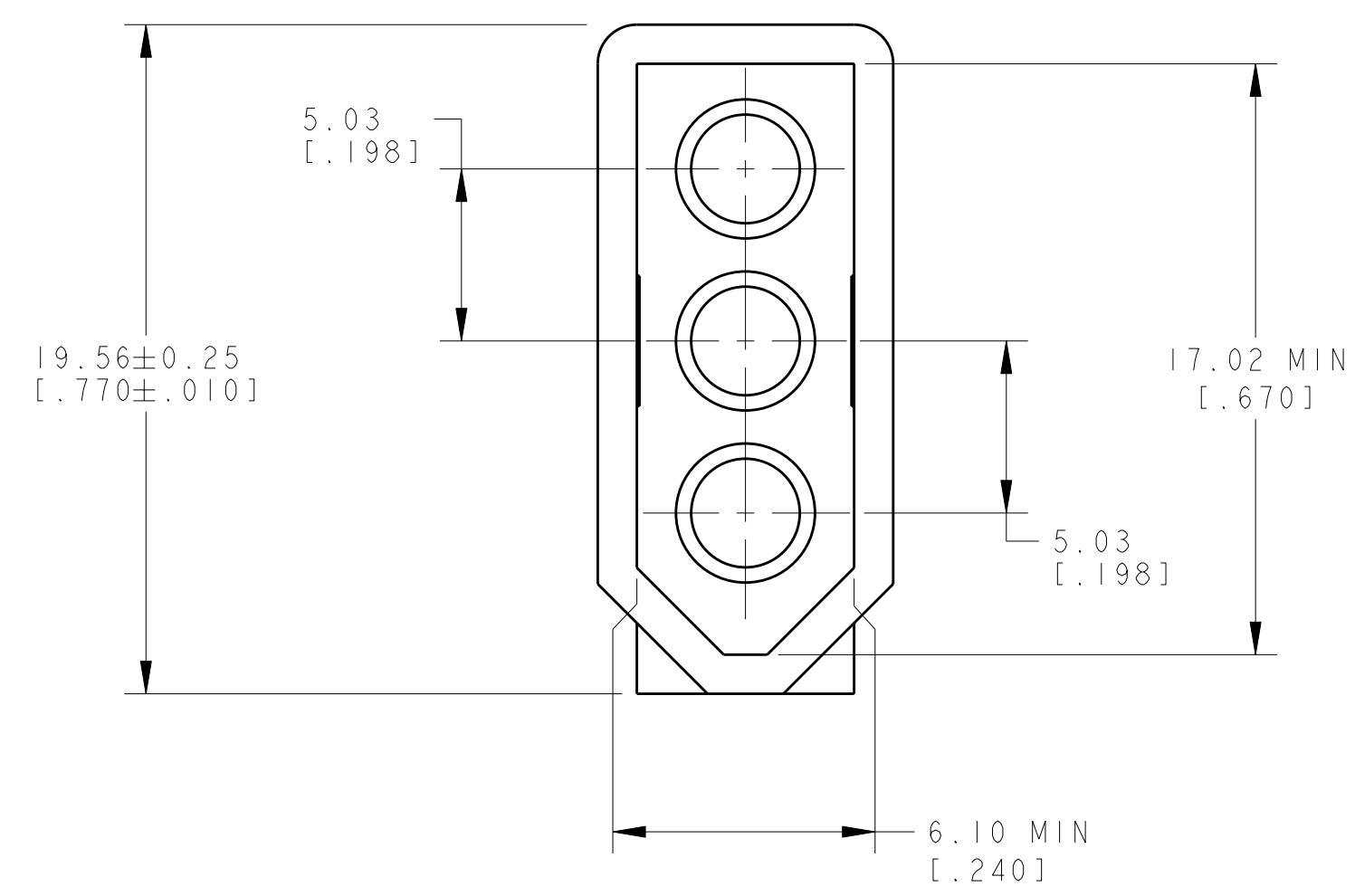


LOC	DIST	REVISIONS			
P	LTB	DESCRIPTION	DATE	DWN	APVD
M		REVISED PER 063B-0540-04	05AUG04	KW	DC
MI		REVISED PER ECO-06-008661	19JUL06	KW	DC
N		REVISED PER ECO-06-019951	28AUG2006	KW	DC

- △ MATERIAL: NYLON UL94V-2 (NATURAL).
- 2. RECOMMENDED PANEL THICKNESS 2.29 [.090] MAX.
- 3. MARKING FOR UL AND CSA LOGO SHALL BE LOCATED ON ANY EXTERNAL SURFACE.
- △ AMP LOGO AND CIRCUIT NUMBERS LOCATED IN AREA, EITHER SIDE, SIZE OPTIONAL, FROST BACKGROUND.
- △ WALL THICKNESS TO MEASURE 0.36-0.51 [.014-.020].



METRIC

770074-1
PART NUMBER

<small>THIS DRAWING IS UNPUBLISHED. RELEASED FOR PUBLICATION. THIS IS SUBJECT TO CHANGE WITHOUT NOTICE. FOR THE LATEST REVISIONS, CONTACT THE DRAWING ENGINEER OR THE CUSTOMER SERVICE DEPARTMENT.</small>		DWN: R. WHITAKER 05AUG2004 CHK: D. COLEY 05AUG2004 APVD: D. COLEY 05AUG2004	tyco Electronics Tyco Electronics Harrisburg, PA 17105-3608
DIMENSIONS: mm [INCHES]	TOLERANCES UNLESS OTHERWISE SPECIFIED: 0 PLC ± 1 PLC ± 2 PLC ±0.13 (1.005) 3 PLC ± 4 PLC ± ANGLES ±40° 30'	NAME: PLUG, 3 CIRCUIT, .093 COMMERCIAL PIN AND SOCKET PRODUCT SPEC: APPLICATION SPEC: WEIGHT:	SIZE: A 00779 C=770074 RESTRICTED TO:
MATERIAL: △	FINISH: -	CUSTOMER DRAWING	SCALE: 5:1 SHEET 1 OF 1 REV N